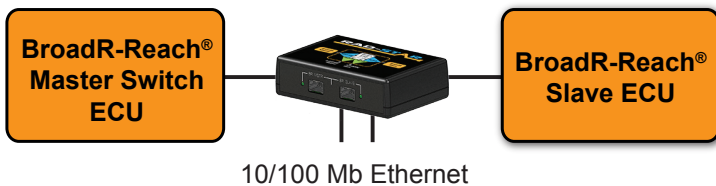


RAD-Star

Active Tap & Gateway for Automotive Ethernet

Intrepid's RAD-Star is a multi-purpose Ethernet gateway for Automotive Ethernet applications. Using the RAD-Star, you can monitor both sides of a BroadR-Reach® connection or connect your laptop to BroadR-Reach® networks as a physical layer gateway. As a gateway to standard 10/100 Mb Ethernet, RAD-Star makes any existing standard Ethernet device, laptop, or data logger compatible with BroadR-Reach®.



Active Tap

To monitor the full duplex BroadR-Reach® Ethernet physical layer, you need to insert an active gateway. This specialized gateway passes all traffic between the BroadR-Reach® devices at nearly zero latency and also makes two copies for the connected 10/100 Mb Ethernet tool - also at wire speeds.



Gateway

To simulate a node or to perform direct diagnostics or ECU flash, you can use RAD-Star as a Gateway. In this mode, any Ethernet frame sent or received by your laptop is translated to the physical layer of your target ECU.

Features

- Tap copies full duplex communications between master and slave with low latency.
- Can serve as a BroadR-Reach® to 10/100 Mb Ethernet bridge.

Rev.03092015



Intrepid Control Systems, Inc.
31601 Research Park Drive Madison Heights, MI 48071 USA
(ph) +1-586-731-7950 (fax) +1-586-731-2274
www.intrepidcs.com

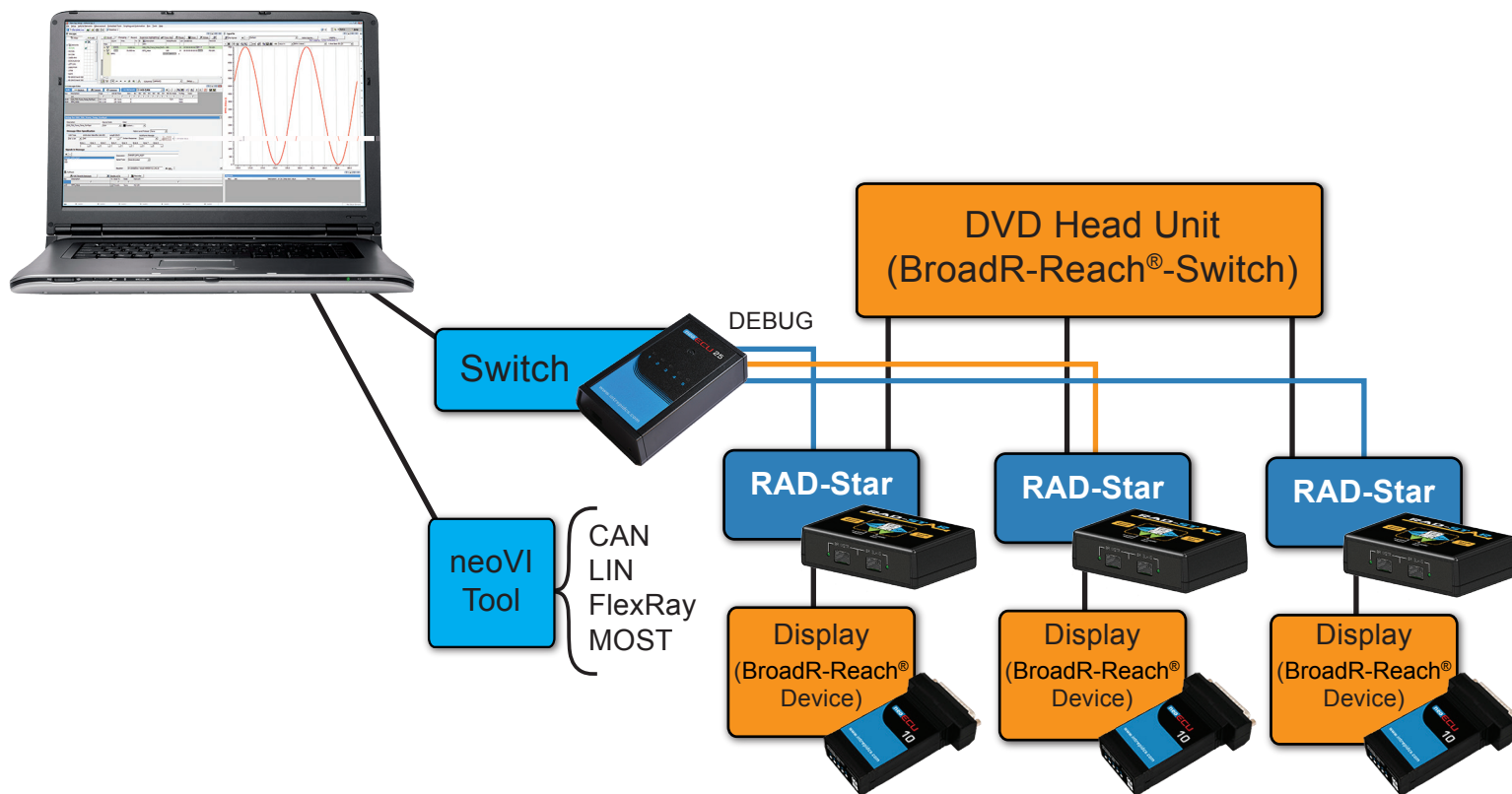
automotive engineering
tool alliance
www.aeta-rice.com



RAD-Star

The RAD-Star device contains four Ethernet connections. Two Ethernet connections are connected to the BroadR-Reach® physical layer. Two Ethernet connections are connected to standard 10/100 Mb Ethernet that routes traffic to a PC using Vehicle Spy. A high speed intelligent router manages message passing between Ethernet PHYs.

Example Use Case:



Ordering Information:

Part Number	Description
RAD-STAR-01	RAD-Star Device

*Specifications subject to change. Please contact Intrepid for the latest information.

Rev.03092015



Intrepid Control Systems, Inc.
31601 Research Park Drive Madison Heights, MI 48071 USA
(ph) +1-586-731-7950 (fax) +1-586-731-2274
www.intrepidcs.com

automotive engineering
tool alliance
www.aeta-rice.com